

SCCS



SUPER CHALLENGE CONSTRUCTION SERVICES

Boilers – PipeFitting – Installation – Manutention- hydroblasting and sandblasting and Others

Port-bouet – vridi cité

N°RCCM : CI-ABJ-2019-B-22979 * N°CC : 1984370C

1139 BP ABIDJAN 12/ 00225 25 21 00 38 07 / 05 85 83 52 88

fabrication@sccsindustrie.com / fab@sccsindustrie.com

metalliqueconstructionsccs@gmail.com

www.sccsindustrie.com

SUPER CHALLENGE CONSTRUCTION SERVICES

SCCS

BOILERS – PIPEFITTING – INSTALLATION – MANUTENTION-
HYDROBLASTING AND SANDBLASTING -
SUPPLIES AND OTHERS

CONTACT US

+225 07 09 34 01 08 www.sccsindustrie.com





SUPER CHALLENGE CONSTRUCTION SERVICES

Boilers – PipeFitting – Installation – Manutention- hydroblasting and sandblasting and Others

SUPER CHALLENGE CONSTRUCTION SERVICES **(SCCS)**

SUPER CHALLENGE CONSTRUCTION SERVICES (SCCS) is an environmentally sustainable company which specializes in metal, plastics, and fiberglass construction. SCCS was founded in 2019 by Mr. Adzoyi Sampson Afelike, Mr. Wilson Intsiful, and Mr. Sekyi Intsiful, and supported by a very competent and well-trained staff in all aspects of the day to day business operations.

SCCS provides design and construction services, as well as specialized services, working with clients from project inception through design to the construction phase. Design and construction services include but not limited to steel/plastics/fiberglass fabrication, traditional or modern faceplate, warehouse (including aeronautic use), and cold room construction. Additional services include sandblasting and protection of materials by industrial painting.

Specialized support services provided by SCCS include industrial pipework, onsite troubleshooting, quality assurance inspection, and design review of pipework installations.

Our vast experience and dedicated staff in combination with our cost saving solutions and commitment to sustainable development ensures we build long lasting relationships with our partners and clients.

Since its founding SCCS has been committed to and continues to commit to the highest quality standards within the industry during the design and construction process. SCCS will continue to uphold its principles of sustainability, health and safety standards, and high quality industry standards in the successful provision of design and construction turnkey services and specialized services to clients and partners within Cote d'Ivoire and the West African subregion.

OUR CONTACTS



Côte d'Ivoire/ Abidjan Vridi Petit Bassam Rue Terre Rouge block 25



1139 BP ABIDJAN 12



00225 25 21 00 38 07
00225 05 85 83 52 88



00225 05 85 83 52 88



Super Challenge Construction Services



fabrication@sccsindustrie.com / fab@sccsindustrie.com



www.sccsindustrie.com



OUR KNOW-HOW

- Cold Room

Employing innovative technologies and paying extra attention to the needs of our clients, SCCS is leading the competition on deploying cutting edge technologies in the delivery of cold rooms.



- Sandblasting and Painting



It consists of scouring the surface by projecting an abrasive through a nozzle at high velocity and under high pressure leading to:

- Perfect scour
- Renovated surfaces
- Deoxidized surfaces
- Surfaces ready for subsequent coating



- **Welding**

Demanding jobs require a company with extensive experience that guarantee anticipated results. SCCS provides welding solutions for all jobs.

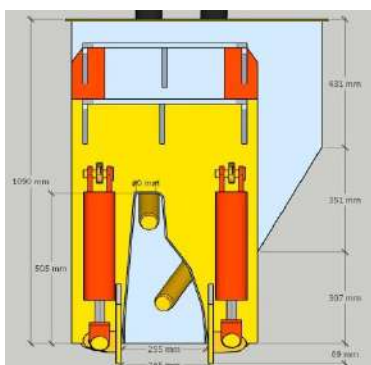
- **Construction and pipe fitting**



- **Boilers**



MANUFACTURE AND REPAIR OF MOLDS



- Hydroblasting and sandblasting



- Rental of certified scaffolding



- Chassis manufacturing



OUR SERVICES



SCCS offers tailor-made solutions that meet client requirements through the provision of innovative, cost efficient, and safe outcomes in a timely manner. Our design and construction services range from preparatory schedule, survey, design,

fabrication, to civil design including foundation and earthworks. Metal fabrication works include offices, workshops, industrial shed (including hangars), cold rooms, stockrooms, warehouses, steel structures, garages, and showrooms. Civil foundation and earthworks include leveling, sewer fabrication, and foundation steel work.

Based on our extensive experience and commitment to safety, sustainability, quality standards, and mutually beneficial client relationships, SCCS provides tailor-made solutions to metal design and construction and fabrication/installation in the following areas:

- Design, manufacture, and installation of metal installations, offices, warehouse, cold rooms, metal sheds including hangars (or other aeronautic applications), and other metal fabrications
- Design, manufacture, and installation of guardrails, gates, garages, etc
- Fabrication and installation of civil related applications such as leveling, sewers and foundation steel work

MATERIAL RESOURCES

- Power generator
- Stand-alone Welding station 220V
- Stand-alone Welding station 380V
- Stand-alone Power generator
- Grinder 9", 5", 4"
- Magnetic drilling machine
- Drilling machine for cement
- Drilling machine for scrap metal
- Machine for logging
- Milling machine
- Rolling machine etc.



WHY SCCS AS PARTNER?

As a partner, SCCS is committed to industry health and safety standards, quality standards, sustainability, and long term mutually beneficial client relationships through the deployment of tailor-made solutions at very competitive costs in a timely fashion to meet schedules.

SCCS core values are adhered to during the day to day operations by our experienced and well-trained staff to successfully deliver projects to the satisfaction of our clients even on the most challenging projects.

From the simplest to the most complex projects, SCCS is committed to the delivery of quality project solutions in a safe, sustainable, and cost-efficient manner agreeable to our clients and all stakeholders.



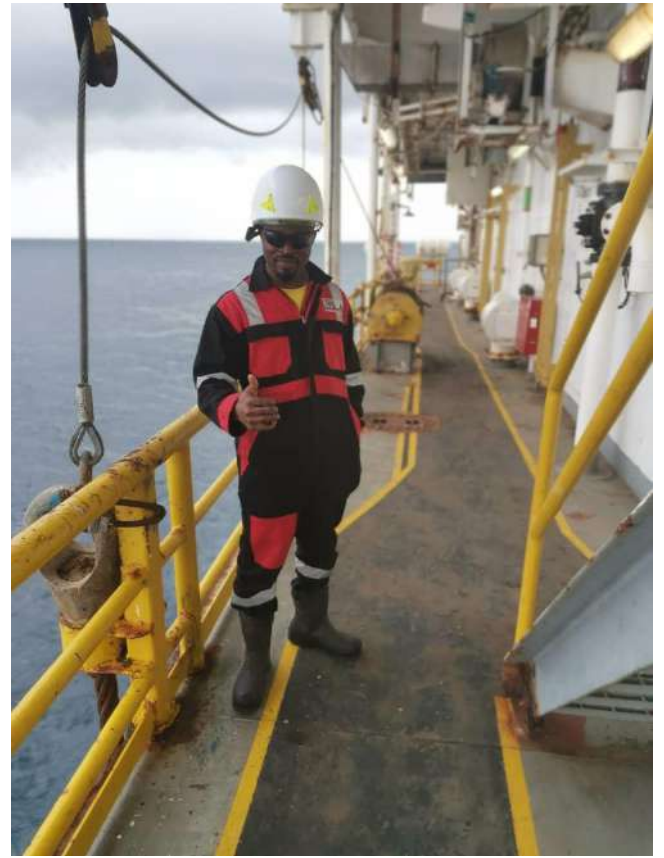
**INCENERATOR
INSTALLATION**

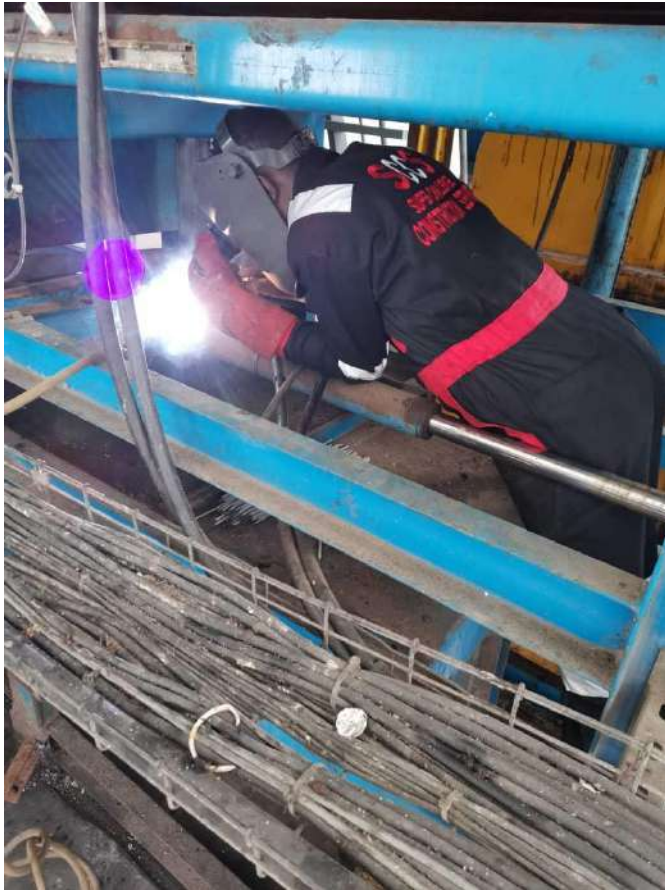
MAINTENANCE



OFFSHORE SERVICES







WELDING REPAIRS



SILO CONSTRUCTIONS AND PIPING CONNECTIONS



OUR PARTNERS





POLICY OF HSEQ

SCCS is an industrial firm that provides innovative project solutions and services with a commitment to industry health and safety standards and active employee health and safety engagement.

To address and to stay on top of industry challenges, SCCS maintains and update as necessary a management system of quality, security, health and safety, and environmental sustainability by focusing on the following areas:

- Involvement and accountability of all staff at every level of the organization and fully backed by management commitment to health and safety through the allocation of the needed resources
- Proactive safety stewardship with stop work authority
- Continual and routine training of staff in health and safety procedures

These commitments are steered by following objectives:

Health, Safety, and Security

- Provision of a safe and healthful workplace
- Employees have stop work authority
- Create accident-free workplace
- Minimize and prevent work related injuries, diseases, and risks
- Routine employee training in health and safety
- Provision of PPE and training of employees in their use

Environment

- Responsible sourcing to minimize environmental footprint
- Reduce waste and improve its recovery
- Optimize the use of natural resources
- Recycle waste materials, where applicable



SUPER CHALLENGE CONSTRUCTION SERVICES

Boilers – PipeFitting – Installation – Manutention- hydroblasting and sandblasting and Others

The HSEQ charter of SCCS is based on six (6) guiding principles (articles) and applied to all our sites.

ARTICLE 1

The **HSEQ** charter is included in the company's general policy. SCCS gives a high priority to providing a safe and healthful workplace where employees can work in safety and environmentally sustainable manner and this is backed by full management support.

ARTICLE 2

The management and the employees of the company know and apply the charter at all the levels. All employees have been trained in all SCCS safety procedures (including PPE and their use), safety stewardship role, and personal responsibilities in the prevention and/or risk minimization workplace related situations that could lead to incidents, risk to health of others, and to the environment.

ARTICLE 3

SCCS is committed to complying with all applicable laws and regulations within the jurisdictions SCCS services are performed.

ARTICLE 4

SCCS maintains, periodically updates, and implements safety procedures related to occupational safety, health, and the protection of the environment on all sites.

ARTICLE 5

SCCS is committed to environmental protection through responsible sourcing, waste production and its reduction, and the recycling of reusable materials on all sites to reduce the carbon footprint related to our activities.

ARTICLE 6

SCCS adopts a transparent attitude and an open-door policy in our engagement with employees, clients, authorities, and suppliers in regard to the occupational safety, health, and the protection of the environment.



SUPER CHALLENGE CONSTRUCTION SERVICES

Boilers – PipeFitting – Installation – Manutention- hydroblasting and sandblasting and Others

These objectives are reviewed annually within the strategic plan of the company.

SCCS maintains an active management support and involvement of all employees to the realization of the goals set forth in the aforementioned articles in the areas of workplace health and safety, security, environment, and quality (HSEQ).

In annex, the reference documents.

Executive Management

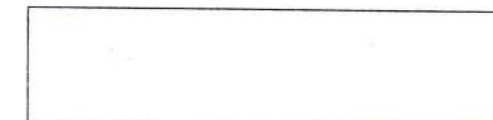
M. ADZOYI Sampson Afelike

REPRISE D'ACTIVITE

MINISTRE DU BUDGET
ET DU PORTEFEUILLE DE L'ETAT

DIRECTION GENERALE DES IMPOTS

REPUBLIQUE DE COTE D'IVOIRE
Union - Discipline - Travail



DECLARATION FISCALE DE MODIFICATION DES CONDITIONS D'EXPLOITATION

PERSONNES MORALES
(Sociétés, associations et autres organismes)

A souscrire :

- après modification des conditions d'exploitation (Art. 284 CGI)
- après mutation de fonds

REPRISE D'ACTIVITE

A- IDENTIFICATION DU COMMERCE SOCIAL

Raison sociale : SUPER CHALLENGE CONSTRUCTIONS SERVICES
 Sigle : SCCS Forme juridique : SARL UNI-PERSONNELLE

Adresse postale :
 Téléphone n° : 0185352251
 Fax n° : Email : metaliqueconstructrascos@gmail.com

Registre du commerce n° : CI-ABJ-2019-B-22979
 délivré le : par :

1 - Joindre obligatoirement un exemplaire des statuts de la société

B- LOCALISATION DU SIEGE SOCIAL

Ville : ABIDJAN Commune : DORVILLE
 Quartier : IRIBI CITE Rue :
 Lot n° : Ilot :
 Réf. cadastrale :
 - Section : Parcelle :
 - TF N° :

C- AUTRES ETABLISSEMENTS

Nature	Nombre	Localité
Entrepôt		
Magasin		
Succursale (agence)		
Usine		
Boutique		
Autres (2)		

2 - Produire un état complémentaire si nécessaire

D- ACTIVITES

Activité principale

- Nature exacte : CONSTRUCTION METALLIQUE
 - Date de début : 01/12/2019

Autres activités

- Nature exacte :
 - Date de début :

E- CHIFFRE D'AFFAIRES

Chiffre d'affaire prévisionnel :

F- ACTIONNAIRES OU ASSOCIES ET REPARTITION DU CAPITAL SOCIAL

Capital social : 5.000.000

Nom et prénom(s) ou raison sociale (3)	Adresse	Nationalité	Part dans le capital	
			Montant	%

RESERVE A L'ADMINISTRATION

Code CDI : 177
 N° de compte contribuable : 1984370 C
 Code activité : BTP0202
 Régime d'imposition : RNI RSI IM TEE Employeur

Obligations fiscales

Patente	<input checked="" type="checkbox"/>
Impôt BIC/BA	<input checked="" type="checkbox"/>
Impôt BNC	<input checked="" type="checkbox"/>
TVA	<input checked="" type="checkbox"/>
TOB	<input type="checkbox"/>
Taxe sur les ventes de bois en grumes	<input type="checkbox"/>
ITS	<input checked="" type="checkbox"/>
AIRSI	<input type="checkbox"/>
TSE	<input checked="" type="checkbox"/>
Impôts fonciers	<input type="checkbox"/>

Autres (A préciser) : FDF Bilaxi

Régimes particuliers

Exonération totale :
 Période : du / / au / /
 / / / /

Exonération partielle :
 Période : du / / au / /
 / / / /

Fondement de l'exonération

Code des Investissements	
Code minier	
Code pétrolier	
Régime franc	
Autres (A préciser)	

1- <u>ADZOUYI SAMPSON ABIDJAN GAHAKEN</u>	<u>500.000.000</u>	Nom, prénom(s), signature et cachet du Chef du Service d'Assiette  Administrateur Principal des Services Recettes
2-		
3-		
4-		
5-		
6-		
Autres		
TOTAL		100

G- DIRIGEANT OU GERANT

Nom et prénom(s) : ADZOUYI SAMPSON AFELIKE Qualité :
 BP : Tél : 0185352251 Email :

H- AUTRES RENSEIGNEMENTS

a) Propriétaire du local professionnel (5)

Nom et prénom(s) ou raison sociale :
 N° de compte contribuable :
 Adresse postale : Email :
 Tél : / Fax :

5 - Produire contrat de bail

b) Suivi comptable

Cabinet comptable ou centre de gestion agréé :
 N° de compte contribuable :
 Adresse postale : Email :
 Tél : / Fax :

c) Régimes particuliers (6)

Code des Investissements	<input type="checkbox"/>	Code pétrolier	<input type="checkbox"/>
Code minier	<input type="checkbox"/>	Régime franc	<input type="checkbox"/>
Autres (A préciser)	<input type="checkbox"/>		

6 - Produire document justificatif (agrément, convention, etc.)

I VISA ET SIGNATURE

Déclaration certifiée sincère A <u>ABIDJAN</u> , le <u>24 FEVRIER 2022</u> Nom du signataire : <u>ADZOUYI SAMPSON AFELIKE</u> Qualité du signataire : <u>GERANT</u>	Signature et cachet du contribuable 
--	--

M₀

DECLARATION DE CONSTITUTION DE PERSONNE MORALE
ou **D'OUVERTURE D'UN ETABLISSEMENT SECONDAIRE**
ou **D'OUVERTURE d'une SUCCURSALE d'une personne morale ETRANGERE**

CI-ABJ-2019-B-22979

RENSEIGNEMENTS RELATIFS A LA PERSONNE MORALE

1 DENOMINATION : SUPER CHALLENGE CONSTRUCTION SERVICES
NOM COMMERCIAL : ENSEIGNE : SIGLE : SCCS
2 ADRESSE DU SIEGE : ABIDJAN PORT BOUET VRIDI CITE 05 BP 833 ABIDJAN 05
3 ADRESSE DE L'ETABLISSEMENT CREE : ABIDJAN PORT BOUET VRIDI CITE 05 BP 833 ABIDJAN 05
FORME JURIDIQUE : SARL Uni-personnelle N° RCCM DU SIEGE : CI-ABJ-2019-B-22979
4 CAPITAL SOCIAL : 1000000 FCFA DONT NUMERAIRE : 1000000 DONT EN NATURE :
5 DUREE : 99 ans

RENSEIGNEMENTS RELATIFS A L'ACTIVITE ET AUX ETABLISSEMENTS

6 ACTIVITE ACTIVITE PRINCIPALE : (préciser) : CONSTRUCTION METALLIQUE,
7 Date de début : 05/12/2019 Nbre de salariés prévus : 0
8 PRINCIPAL ETABLISSEMENT OU SUCCURSALE
9 Adresse : ABIDJAN PORT BOUET VRIDI CITE 05 BP 833 ABIDJAN 05
10 Origine : Création Achat Apport Prise en location gérance Autre (préciser)
11 Précédent exploitant : Nom : Prénoms :
12 Adresse : N° RCCM :
13
14 ETABLISSEMENTS SECONDAIRES (autre que celui créé) Non Oui (préciser)
Adresse :
Activité :

ASSOCIES TENUS INDEFINIMENT ET PERSONNELLEMENT (*)

15 (*) La totalité des renseignements relatifs à ces associés doit IMPERATIVEMENT figuré sur le formulaire complémentaire M0 Bis annexe
RESUME DES INFORMATIONS

NOM ET PRENOMS	DATE ET LIEU NAISS.	ADRESSE

RENSEIGNEMENTS RELATIFS AUX DIRIGEANTS (*) ()**

16 (*) Concerne les Gérants, Administrateurs ou Associés ayant le pouvoir d'engager la personne morale
(**) Les renseignements ne pouvant figurer ci-dessous doivent IMPERATIVEMENT être reportés sur le formulaire complémentaire M0 Bis annexe

NOM ET PRENOMS	DATE ET LIEU NAISS.	ADRESSE	FONCTION
ADZOVI SAMPSON AFELIKE	19/07/1983 ACCRA	05 BP 833 ABIDJAN 05	GERANT

COMMISSAIRES AUX COMPTES

17

NOM ET PRENOMS	DATE LIEU NAISS.	ADRESSE	FONCTION

18 Le SOUSSIGNE (préciser si mandataire)
demande à ce que la présente constitue demande DEMANDE D'IMMATRICULATION au RCCM

La conformité de la déclaration avec les pièces justificatives produites en application de l'Acte Uniforme sur le Droit commercial général a été vérifiée par le Greffier en Chef soussigné qui a procédé à l'inscription le 05/12/2019 sous le NUMERO CI-ABJ-2019-B-22979.

Fait, à ABIDJAN
le 05 DECEMBRE 2019
Signature


Maître BAÏ Demysère
Attaché des Greffes et Parquets
Tribunal de Commerce Abidjan



OBJET

La société a pour objet en COTE D'IVOIRE :

D'exercer dans le domaine de la construction métallique

Et pour la réalisation de l'objet social :

- l'acquisition, la location et la vente de tous biens meubles et immeubles.
- l'emprunt de toutes sommes auprès de tous établissements financiers avec possibilité de donner en garantie tout ou partie des biens sociaux.
- la prise en location gérance de tous fonds de commerce.
- la prise de participation dans toute société existante ou devant être créée
- et généralement, toutes opérations financières, commerciales, industrielles, mobilières et immobilière, se rapportant directement ou indirectement à l'objet social ou pouvant en faciliter l'extension ou le développement.



CERTIFICATE OF SATISFACTORY EXECUTION

To whom it may concern

This is to certify that the company SUPER CHALLENGE CONSTRUCTION SERVICES (SCCS) has given us full satisfaction in the execution of the tasks entrusted to them.

These services focused on:

- **FABRICATION OF MUD COOLER PIPING / April 03, 2021**
- **FABRICATION OF MUD RETURN HANGER / April 20, 2020**
- **PURCHASING OF MATERIALS / May 03, 2021**
- **AOC FITTING 3000Psi WP supplying / 28 June 2021**
- **SUPPLY OF NDT INSPECTOR / 29 July 2021**
- **PIPE DECK HYDROBLASTING / RENTALS OF HYDROBLASTING MACHINE / SAND BLASTERS SUPPLIES / November 04, 2021**
- **MARINE PAINT SUPPLIES / Décembre 21, 2021**
- **2" AC REFRIGERATION LINE FABRICATION / January 13, 2022**
- **WELDERS WITH CONSOMABLE SUPPLY / February 21, 2022**
- **CRANE REAL LEG SUPPORT FABRICATIONS + HOT WORK INSTALLATION ON BERANI / November 17, 2022**
- **NDT INSPECTOR / SCAFFOLDERS / WELDERS / FABRICATION SUPERVISOR / SCAFFOLDS RENTALS / December 16, 2022**
- **10" PIPE LINE SUPPORTS FABRICATION**
- **BERANI SPS3 STEEL REPAIRS BY SCCS ABS WELDERS**
- **AIR GRINDERS / HOSE / CUTTING TORCH FROM SCCS**
- **STEEL SUPPLIES**

This certificate is thus issued to SCCS to assert what is right.

Done in Abidjan, on February 22th 2023.



CERTIFICATE OF GOOD EXECUTION

I, the undersigned, Max Mballe Operations Manager
From Aggreko whose head office is in Abidjan –cote d'ivoire, Road of vridi canal., former Cie-
Vridi industrial zone, Port bouet-15 BP 16 Abidjan 15

Hereby certifies that the company **Super Challenge Construction Services** represented by Mr. **Adzoyi Sampsom Afelike** has indeed performed the following services on time:

- 20 valve seal maintenance
- Manufacture of 2x Tubine window panel protectors
- Refurbishment and change of new seals for 30 valves + sandblasting and painting
- Manufacture of tank skid
- Retention pallets
- flying wheel support fabrication
- Manufacture of Local Gas Lines - Services &Maintenance
- Bolt and nut with fittings supplies

In witness whereof, I deliver this certificate to him to serve and assert what right

Done in Abidjan, February 22, 2023



<u>BON DE COMMANDE</u>	<u>DESCRIPTION</u>	<u>MONTANT</u>	<u>DATES</u>
3566200	ENTRETIEN DE JOINT DE 10 valves	900000	31/03/2022
3584663	ENTRETIEN DE JOINT DE 10 valves	900000	10/05/2022
3588559	WELDING MODIFICATION ON FLY WHEEL SUPPORT	353760	18/05/2022
3586497	2xTUBINE WINDOW PANEL PROTECTIONS FABRICATION	702000	13/05/2022
3624125	REFURBISHMENT AND CHANGING OF NEW SEALS FOR 20 valves + SANI	2200000	29/07/2022
3595708	VALVE REPAIR GAS VALVE REPAIR	1099170	01/06/2022
3646421	RENTENTION PALLETS	6966000	05/09/2022
3672295	Maintenance of 10 x valve seals with SANDBLASTING AND Painting	1352700	18/10/2022
		14473630	

CERTIFICATE OF PERFORMANCE AGREEMENT

I, the undersigned, KONAN André holding the position of Deputy General Manager at RMG Côte d'Ivoire SA certifies that the company SUPER CHALLENGE CONSTRUCTION SERVICES has given us complete satisfaction in the execution of the tasks entrusted to it.

These services included:

- **Air extractor installation in the HP 1250 incinerator workshop / 16 November 2020**
- **Repair work and supply of 4 transmission parts on ash conveyor on the ATI HP 1250 incinerator furnace / August 28, 2020**
- **Manufacture of pipe equipped with a female NPT fitting / July 7, 2020**
- **Welding repairs on an emergency fire water line / May 4, 2020**
- **Adaptation of an NPT connection to a tank outlet / May 4, 2020**
- **Modification and repair / modification on machine HP1200 / 17 August 2021**
- **Sealing work on the chimney / November 16, 2020**
- **Welding repair and supply of stainless steel bolts on HP 1200 incinerator / November 19, 2020**
- **Welding repair on the emergency fire barrier and manufacture of rolling trolley / January 21, 2021**
- **Disassembly and reassembly of the Venturi pipe of the ATI HP1000 furnace / January 21, 2021**
- **Convoy maintenance and repair of the HP1250 incinerator convoy weld / 08 June 2022**
- **Manufacture of the sheath on the HP 1200 incinerator / May 18, 2021**

- Valve assembly on HP1200 incinerator / April 26, 2022
- Work to connect the polluted water drainage pipe to the pit / January 27, 2022
- Intervention work on pusher of the ATI HP 1000 incinerator / November 10, 2022
- Refurbishment work on the C store gate / 10 November 2022
- Support of the HP1250 incinerator chees-1 / October 4, 2022
- Repair of welds on the safety emergency hose and manufacture of a 4" fire line / October 4, 2022
- repair welding on machine cone ATI HP 1250 / 16 September 2022
- HP 1250 Incinerator ash conveyor repair work / July 25, 2022
- Refurbishment work on the HP 1250 incinerator and the support of the agitator of the water treatment tank / March 22, 2022
- Welding ring repair on pipe 1/4 ss / 30 March 2022
- Opening, welding and repair painting of a safe / January 6, 2023

We recommend Super Challenge Construction Service to all companies that will need quality and optimal services.

This certificate is therefore issued to him to assert what is just.

Done at Abidjan on 21 February 2023

The Deputy Director General





CERTIFICATE OF GOOD WORKMANSHIP

I, the undersigned Sergio Borges occupying the position of International MPD Project Manager within the company Beyond Energy certify that the company SUPER CHALLENGE CONSTRUCTION SERVICES has given us complete satisfaction in the execution of the tasks assigned to him.

These services covered:

- **FABRICATION OF POLLUTION PAN**
- **PURCHASING OF MATERIALS**
- **20FT 2" OIL RESISTANCE HOSES SUPPLIES**
- **OILS SUPPLIES**

We recommend Super Challenge Construction Service to all companies that will need quality and optimal services.

This certificate is therefore issued to him to assert what is right.

22 February 2023

PROJECT MANAGER

A handwritten signature in black ink, appearing to be "S. Borges", written over a light blue horizontal line.



CERTIFICATE OF SATISFACTORY EXECUTION

To whom it may concern

This is to certify that the company SUPER CHALLENGE CONSTRUCTION SERVICES (SCCS) has given us full satisfaction in the execution of the tasks entrusted to them.

These services focused on:

- Fabrication of lifting boom
- 3" 4" 5" X- Over fabrications
- Supplies of 4" hoses with 4" weco unions
- 4" oil resistance hoses
- Todo coupling with 4" weco union supplies
- Office container fabrication

This certificate is thus issued to SCCS to assert what is right.

Done in Abidjan, on February 22th 2023.





LIST OF WORKS

CUSTOMER : IVOS

INVOICE NUMBER	DESCRIPTION	PRICE
105	HOSES SUPPLIES	16 825 552
106	X-over fabrication	20 719 215
104	INSTALLATION OF 4" FEMALE TODO WITH 4" WECO ON 15M OIL HOSE	4 111 125
103	Crimping of 4" 10 hoses	4 847 160
	x-over	2 400 000
TOTAL		48 903 052




WORK DONE FOR PERSEUS MIING YAOURE

- Scaffolding rental and installation with manpower / December 12, 2022
- Fabrication of pmy - ball mill feed box 132-bx-003 / December 12, 2022
- 700 x M16x130mm 8.8 high tensile bolt, nuts and washers supplies / 07 October 2022
- Geko ss 316l pipe manufacturing / August 04, 2022
- Gekko solution tank ss 316 l pipe fabrication and installation / July 18, 2022
- Launder fabrication and installation / July 18, 2022

LE DIRECTEUR GENERAL



The image shows a handwritten signature in black ink over a circular stamp. The stamp contains the text 'SCCS' at the top, 'Construction Métallique' in the center, and 'SUPER CHALLENGE CONSTRUCTION SERVICES' around the bottom edge.

M. ADZOYI SAMPSON AFELIKE

ISO 14001:2015

Certificate of Registration

This is to certify that the
Environmental Management System of

SUPER CHALLENGE CONSTRUCTION SERVICES (SCCS)

1139 BP ABIDJAN 12 Abidjan Vridi Petit Bassam
Rue Terre Rouge ilot 25, Cote D'Ivoire



has been assessed and found to conform to the requirements of

ISO 14001:2015

For the following scope:

Fabrication, Pipe Fitting, Construction, Manpower,
Material Supply & Offshore Services



Certificate Number : **WA20230203**

This certificate is valid from 06-Feb-2023 until 05-Feb-2024

.....
Certification Manager

UNIVERSAL REGISTRARS

www.universalregistrars.com

Level 18, 40 Bank Street,
Canary Wharf, London E14 5NR, UK.
Email ID: info@universalregistrars.com



This certificate can be verified at the above URL.
The certificate remains the property of Universal Registrars, to whom it
must be returned on request. Lack of fulfillment of certification terms
and conditions at all times, may render this certificate invalid.

ISO 14001:2015

Certificate of Registration

This is to certify that the
Environmental Management System of

SUPER CHALLENGE CONSTRUCTION SERVICES (SCCS)

PWD 69 Quarters Harbor Road Central Police Takoradi,
Aggrey St, Sekondi Takoradi Metropolitan,
Takoradi, P.O Box 2466 – Takoradi, Ghana



has been assessed and found to conform to the requirements of

ISO 14001:2015

For the following scope:

Fabrication, Pipe Fitting, Construction, Manpower,
Material Supply & Offshore Services



Certificate Number : WA20230206

This certificate is valid from 06-Feb-2023 until 05-Feb-2024

.....
Certification Manager

UNIVERSAL REGISTRARS

www.universalregistrars.com

Level 18, 40 Bank Street,
Canary Wharf, London E14 5NR, UK.
Email ID: info@universalregistrars.com



This certificate can be verified at the above URL.
The certificate remains the property of Universal Registrars, to whom it
must be returned on request. Lack of fulfillment of certification terms
and conditions at all times, may render this certificate invalid.

Certificate of Registration

This is to certify that the Quality Management System of

SUPER CHALLENGE CONSTRUCTION SERVICES (SCCS)

PWD 69 Quarters Harbor Road Central Police Takoradi,
Aggrey St, Sekondi Takoradi Metropolitan,
Takoradi, P.O Box 2466 - Takoradi, Ghana



has been assessed and found to conform to the requirements of

ISO 9001:2015

For the following scope :

Fabrication, Pipe Fitting, Construction, Manpower,
Material Supply & Offshore Services



Certificate Number : WA20230205

This certificate is valid from 06-Feb-2023 until 05-Feb-2024

.....
Certification Manager

UNIVERSAL REGISTRARS

www.universalregistrars.com

Level 18, 40 Bank Street,
Canary Wharf, London E14 5NR, UK.
Email ID: info@universalregistrars.com



This certificate can be verified at the above URL.
The certificate remains the property of Universal Registrars, to whom it
must be returned on request. Lack of fulfillment of certification terms
and conditions at all times, may render this certificate invalid.

ISO 9001:2015

ISO 9001:2015

Certificate of Registration

This is to certify that the Quality Management System of

SUPER CHALLENGE CONSTRUCTION SERVICES (SCCS)

1139 BP ABIDJAN 12 Abidjan Vridi Petit Bassam
Rue Terre Rouge ilot 25, Cote D'Ivoire



has been assessed and found to conform to the requirements of

ISO 9001:2015

For the following scope :

Fabrication, Pipe Fitting, Construction, Manpower,
Material Supply & Offshore Services

Certificate Number : WA20230202

This certificate is valid from 06-Feb-2023 until 05-Feb-2024



.....
Certification Manager

UNIVERSAL REGISTRARS

www.universalregistrars.com

Level 18, 40 Bank Street,
Canary Wharf, London E14 5NR, UK.
Email ID: info@universalregistrars.com



This certificate can be verified at the above URL.
The certificate remains the property of Universal Registrars, to whom it
must be returned on request. Lack of fulfillment of certification terms
and conditions at all times, may render this certificate invalid.

ISO 45001:2018

Certificate of Registration

This is to certify that the Occupational Health & Safety Management System of

SUPER CHALLENGE CONSTRUCTION SERVICES (SCCS)

PWD 69 Quarters Harbor Road Central Police Takoradi,
Aggrey St, Sekondi Takoradi Metropolitan,
Takoradi, P.O Box 2466 - Takoradi, Ghana



has been assessed and found to conform to the requirements of

ISO 45001:2018

For the following scope :

Fabrication, Pipe Fitting, Construction, Manpower,
Material Supply & Offshore Services



Certificate Number : **WA20230204**

This certificate is valid from 06-Feb-2023 until 05-Feb-2024

.....
Certification Manager

UNIVERSAL REGISTRARS

www.universalregistrars.com

Level 18, 40 Bank Street,
Canary Wharf, London E14 5NR, UK.

Email ID: info@universalregistrars.com



This certificate can be verified at the above URL.
The certificate remains the property of Universal Registrars, to whom it
must be returned on request. Lack of fulfillment of certification terms
and conditions at all times, may render this certificate invalid.

ISO 45001:2018

Certificate of Registration

This is to certify that the Occupational Health & Safety Management System of

SUPER CHALLENGE CONSTRUCTION SERVICES (SCCS)

1139 BP ABIDJAN 12 Abidjan Vridi Petit Bassam
Rue Terre Rouge ilot 25, Cote D'Ivoire



has been assessed and found to conform to the requirements of

ISO 45001:2018

For the following scope :

Fabrication, Pipe Fitting, Construction, Manpower,
Material Supply & Offshore Services



Certificate Number : WA20230201

This certificate is valid from 06-Feb-2023 until 05-Feb-2024

.....
Certification Manager

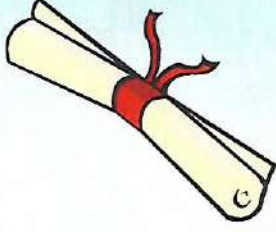
UNIVERSAL REGISTRARS

www.universalregistrars.com

Level 18, 40 Bank Street,
Canary Wharf, London E14 5NR, UK.
Email ID: info@universalregistrars.com



This certificate can be verified at the above URL.
The certificate remains the property of Universal Registrars, to whom it
must be returned on request. Lack of fulfillment of certification terms
and conditions at all times, may render this certificate invalid.



CERTIFICAT D'AGRÈMENT

CODE N° 44565

Mr ADZOVI SAMPSON AFELIKE

Votre Entreprise : **SCCS**

est **OFFICIELLEMENT AGRÉÉE**

Pour les PRESTATIONS :

TUYAUTERIE – CHAUDRONNERIE – SOUDURE

Fait à Abidjan le 05/07/2021

Le Directeur Général



ATTESTATION D'ADHESION



L'Association Manuel d'Amélioration de la Sécurité des Entreprises en Côte d'Ivoire dénommée « **MASE-CI** » atteste que la société

SCCS inscrite au Régistre de Commerce et du Crédit Mobilier sous le N°**CI-ABJ-2019-B-22979** et ayant pour Compte Contribuable le N°: **1984370 C.**

Spécialisée dans : **Construction métallique.**

Figure au rang de ses membres et s'est engagée dans la démarche MASE depuis **2020** sous le N° **A20/125.**

La présente attestation, renouvelable annuellement, est valable du **01 janvier 2020** au **31 Décembre 2020.**

En foi de quoi cette attestation lui est délivrée pour servir et valoir ce que de droit.

Fait à Abidjan le 15 Décembre 2020

le Président du Conseil d'Administration



MASE-CI

Adhérent MASE MED. GIPHISE

Membre associé Com. Port San Pedro

01 BP 1269 ABIDJAN/CI

no

Bruno SIROT



ADZOYI AFELIKE SAMPSON

DIRECTEUR GENERAL | DIRECTEUR DE FABRICATION
GENERALMANAGER@SCCSINDUSTRIE.COM

EDUCATION

**GHANA
EDUCATION SERVICES
WELDING WELDING
CRAFT PRACTICE**

Mr sampson had his background training and learning as a welder and a Fabricator in Ghana. Welding Craft Practice helped Mr. Sampson to emerge and Bring knowledge and skills acquired in his education to help to improve of his Quality service establishment.

PROFESSIONAL REGISTRATION

Professional Welder/Fabricator

EXPERIENCES

TECHNICAL DIRECTOR CITM IN COMPANY OF IVOIRIENNE DE TRAVAUX METALLIQUES INDUSTRIELS

Mr Sampson has been the Technical Director for CITM, by leading The company to one biggest company contract by building SILO TANKS For CNR International. A base oil and gas company in COTE DIVOIRE, Where their headquarters in been located in CANADA. This project was been Executed by Mr Sampson.

RMG Cote Divoire CERTIFICATE OF GOOD EXECUTION

The Board Members of RMG been led by Mr KONAN ANDRE, The Director of RMG Company been based in COTE DIVOIRE. Gave on these day attestation to Mr Sampson for executing a contract of installing up an incinerator. which Mr Sampson felt within their business plan to execute the project. As an a Technical Director in CITM company.

MANUFACTURING SUPERVISOR AT GLOBAL ENERGY VENTURE Sarl 10/15/2015 - 11/30/2011

Mr Sampson worked as fabrication supervisor on many projects offshore and onshore by fabricating the gunway for SKD ALLIANCE and onboard sea fastening for SKD ALLIANCE ect for GLOBAL ENERGY.

He made made an establishing and maintaining excellence working relationship With key stakeholders and colleagues to deliver quality service to cl

MANUFACTURING SUPERVISOR

SKD ALLIANCE PANAMA

for FOXTROT INTERNATIONAL

08/24/2015 - 09/13/2016

Mr Sampson gave a proper supervision on working on the Drilling Rig own By SAPURAKENCANA, by sea fastening / equipments support fabrication and installation / pipe fitting ect. He promoted the team and individual commitment to The development objectives and Goals.

SUPERVISEUR DE FABRICATION

DOLPHIN DRILLING

10/22/2016

Mr Sampson worked as a third party fabrication supervisor on board of Bolette Dolphin. He performed by working on welding repairs/ sea fastening / sea water line modifications .He has a positive attitude and good attention to detail. He is capable of undertaking work individually or within a team.

TUYAUTEUR

GLOBAL ENERGY VENTURE Sarl 10/15/2013

Because of his enthusiastic, and highly motivated and result oriented Individual with excellence communication skills and analytical ability. Seeking opportunity to work as a hard worker he was promoted as a fabrication supervisor in GLOBAL ENERGY VENTURES both Ghana and COTE D'IVOIRE.

FORMATION ET CERTIFICATION

OPITO

INTERNATIONAL MINIMUM INDUSTRY SAFETY

02/26/2015

Mr Sampson had basic safety training on how to do work permit and to Host a safety toolbox talk on the site. To add value processes, procedures and Final output.

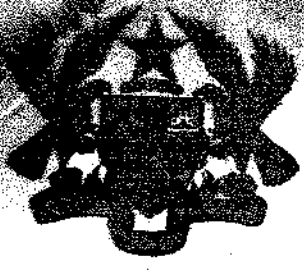
BASIC OFFSHORE SAFETY INDUCTION EMERGENCY TRAINING INCLUDING EBS-5700

**approved by SMTC GLOBAL on 09/10/201 GEV
GHANA**

Mr Sampson has succeeded in fabricating a crane lifting boom with his team for EXPRO base oil company in Ghana for GLOBAL ENERGY VENTURES as a fabrication supervisor. Mr Sampson has first aid training additional certificates to his credibility, sea survival training. As well fire fighting and self rescue which are main core in the aspect of our safety activities.

SUPER CHALLENGE CONSTRUCTION SERVICES

Mr Sampson GENERAL DIRECTOR of SCCS with his Technical Director led the team to fabricate a lifting boom, which CNR INTERNATIONAL will be using on the silo tank. IVOS an Ivorian company which to clean and maintain silo tanks for CNR, gave out the contract to SCCS to be executed.



GHANA EDUCATION SERVICE

This Certificate

WELDING CRAFT PRACTICE

is awarded to

SAMPSON AFELIKE ADJOYI

WHO WAS SUCCESSFUL IN THE FOLLOWING THREE (3) COMPONENTS:

Welding Technology

PASS

Related Studies

PASS

Practical Test

PASS

Awarded - MAY/JULY, 2003

517025 0141 016

Director General

CERTIFICAT DE TRAVAIL

Nous soussignés, **Global Energy Ventures SARL**, demeurant à Vridi, Rue du Canal, Base Bolloré Oil & Gaz, 15 BP 100 Abidjan 15, affiliée à la CNPS sous le numéro **111993**, certifions avoir employé Monsieur **ADZOYI Sampson Afelike** en qualité de :

- **Tuyauteur**, à la catégorie **8** de la période allant du **15 Octobre 2013 au 14 Octobre 2014 inclus**.
- **Superviseur Fabrication**, à la catégorie **M1** de la période allant du **15 Octobre 2014 au 14 Octobre 2015 inclus**.
- **Superviseur Fabrication**, à la catégorie **M3** de la période allant du **15 Octobre 2015 au 30 Septembre 2017 inclus**.

Il a été immatriculé à la CNPS sous le numéro **183201636659**.

Il nous quitte ce jour libre de tout engagement.

En foi de quoi, nous lui délivrons le présent Certificat de Travail pour servir et valoir ce que de droit.

Fait à Abidjan, le 29 Septembre 2017



Valérie KOUADIO
Directeur des Ressources Humaines

GLOBAL ENERGY VENTURES SARL



Date: 29/10/2016

Dolphin Drilling Limited,
Howe Moss Drive,
Kirkhill Industrial Estate,
Dyce, Aberdeen, AB21 0GL,
United Kingdom.
Tel: + 44 (0)1224 411411
Fax: + 44 (0)1224 723267
www.dolphindrilling.no

Bolette Dolphin
IMO Number 9625516

Dear Sir/Madam

This is to certify that **Mr. ADZOYI, SAMPSON A.** has worked on board the Bolette Dolphin as a **3rd Party Fabrication Supervisor** from **22/10/2016** to **29/10/2016** on contractual basis.

Mr. ADZOYI, SAMPSON A has a positive attitude and good attention to detail. He is capable of undertaking work either individually or within a team.

Yours faithfully
For and on behalf of Dolphin Drilling

DONNIE CAMPBELL
Master/OIM

Bolette Dolphin
O.N. 397983
G.T. 51437
Propulsion 33000 KW
Singapore

ATTESTATION DE BONNE EXECUTION

Nous soussigné RMG CÔTE D'IVOIRE SA dont le siège est à Zone industrielle de Vridi, rue sylvestre, 01 BP 3715 Abidjan 01 ; représentée par son Directeur Général Adjoint, Monsieur KONAN André, atteste que **Mr ADZOYI Sampson Afelike**, Directeur Technique de la société CITM (Compagnie Ivoirienne de Travaux Métalliques & industriels) a mené à bien, dans les délais prévus les travaux de montage d'un incinérateur de dernière génération dans notre entreprise.

Ces travaux qui ont été réalisés en Côte d'Ivoire, en zone industrielle de Vridi du 20/05/2019 au 27/06/2019 et exécutés en conformité avec les clauses des cahiers des charges.

Le délai contractuel était de 45 jours.

En foi de quoi, nous délivrons la présente attestation pour lui servir et valoir ce que de droit.

Fait à Abidjan, le 10 juillet 2019


RMG Côte d'Ivoire S.A.
01 BP 3715 ABIDJAN 01
Tél. : +225 21 21 05 00 / 21 75 00 05
Fax : +225 21 21 05 05 / 21 75 00 06
André KONAN

Directeur Général Adjoint



Sapurakencana
D R I L L I N G

This award certifies that :

SAMPSON AFFILEKE ADZOYI

GEV-FABRICATION SUPERVISOR

TO WHOM SO EVER IT MAY CONCERN

This is to certify that Mr. Sampson Affileke Adzoyi worked as "Fabrication Supervisor" from 24/08/2015 to 13/09/2016, on board the Semi-Tender Drilling Rig SKD ALLIANCE owned by "SAPURAKENCANA" working for FOXTROT NTERNATIONAL at Marlin Manta project drilling offshore in Côte D'Ivoire.

During the period, he performed his duties efficiently in safe and timely manner.

13th Sept 2016

Offshore Installation Manager(OIM)

SASA LOVRENOKITE


GEND ALLIANCE
Permanen
O.N.P 411222
G.T.11695 N.T.1.3698

IMIST

International Minimum Industry Safety Training

CERTIFICATE OF COMPLETION

This is to certify that

Sampson Afelike Adzoyi

has successfully completed the OPITO approved
International Minimum Industry Safety
Reassessment and Refresher Programme

Vantage No. / Date of Birth

19/07/1983

Date of completion

26 February 2021

Certificate ID number

1171531226021586737

Course ID Code

5312

Expiry date

26 February 2024

Signed

PROMETRIC

Course Invigilator

PROMETRIC Engineering and Inspection Services

OPITO IMIST delivered in
partnership with Atlas



AtlasTM
Knowledge to perform

www.IMIST-online.com

CERTIFICATE OF ACHIEVEMENT

AWARDED TO

SAMSON AFELIKE ADZOYI
ID: 011258

FOR HAVING SUCCESSFULLY COMPLETED
AN APPROVED COURSE

BASIC OFFSHORE SAFETY INDUCTION EMERGENCY TRAINING INCLUDING EBS - 5700
(Incl. of Safety Induction, Sea Survival, HUET with EBS, Basic Fire Fighting & Self Rescue,
Emergency First Aid)
(OPITO APPROVED)

HELD ON

07/10/2020 - 09/10/2020


COURSE LEADER


COUNTRY MANAGER

CERTIFICATE NO.

964757000910130015

VALID UNTIL

08/10/2023





Mr. Wilson Intsiful

CSO / CSO
wil@sccsindustrie.com

➤ **EDUCATION:**

Higher Diploma in Marine Engineering: Regional Maritime University Accra 2005

➤ **PROFESSIONAL QUALIFICATIONS:**

Class One Marine Engineer Officer (Unlimited): STCW under government of Ghana 2017

Safety Officer: Seagull Norway

Senior Engineers Leadership Assessment Program: India

Occupational Health and Safety Awareness Certificate: USA

HUMAN ELEMENT AND LEADERSHIP MANAGEMENT.....ghana

➤ **YEARS OF EXPERIENCE**

Mr. Wilson Intsiful has been a professional Marine Engineer all his working life. His 15 years of experience is extensively in the Oil and gas Industry, specifically working on Crude Oil Vessels of varying sizes Including Aframax Sized Vessels to Very large crude oil Carriers around the World.

Mr. Wilson Intsifuls engineering experience is mainly from rising from junior engineer officer rank to Senior Engineer Officer: working extensively in US gulf , and occasionally in Europe, Asia and the Arab world, transporting crude oil.

Summary of Sailing Experience:

➤ **EXPERIENCES**

COMPANY	SHIP TYPE	SHIP NAME	RANK	PERIOD	SHIP'S GRT	SHIP'S ENGINE TYPE, POWER
AET, Singapore	Oil Tanker	MT. Bunga Kasturi Tiga	2 nd Engineer	Sept 2019-Jan 2020	157245	Man B&W 25090KW
AET, Singapore	Oil Tanker	MT. Paramount Hamilton	2 nd Engineer	Jan 2019-May 2019	62851	Hyundai Man B &W,14280KW
AET, Singapore	Oil Tanker	MT. Eagle SibU	2 nd Engineer	Aug 2018-Dec 2019	58156	Man B&W,12355KW
A AET, Singapore	Oil Tanker	MT. Eagle SibU	2 nd Engineer	Nov 2017-April 2018	58156	Man B&W,12355KW
AET, Singapore	Oil Tanker	MT. Eagle Tucson	2 nd Engineer	Feb 2017-July 2017	58166	Man B&W,15635KW
AET, Singapore	Oil Tanker	MT. Eagle Vancouver	2 nd Engineer	July 2016-Dec 2016	161974	Man B&W, 26900KW
AET, Singapore	Oil Tanker	MT. Bunga Kasturi Empat	2 nd Engineer	Oct 2015-March 2016	157254	Man B&W, 34110
AET, Singapore	Oil Tanker	MT. Bunga Kasturi Tiga	2 nd Engineer	March 2015-May 2015	157245	Man B&W 25090KW
AET, Singapore	Oil Tanker	MT. Eagle Tucson	2 nd Engineer	Sep 2014-Jan 2015	58166	Man B&W,15635KW
AET, Singapore	Oil Tanker	MT. Eagle Atlanta	3 rd Engineer	Nov 2013-May 2014	57929	Man B&W 13128KW
GO Offshore, Singapore	AHT	MT. Beluga	3 rd Engineer	Aug 2013-Oct 2013	1763	Mitsui 2X2206KW
AET, Singapore	Oil Tanker	MT. Eagle Auriga	3 rd Engineer	Aug 2012-Feb 2013	55962	Man B&W 10960KW
AET, Singapore	Oil Tanker	MT. Bunga Kasturi	3 rd Engineer	June 2012-July2012	155967	Man B&W 34110
AET, Singapore	Oil tanker	MT. Eagle Columbus	3 rd Engineer	April 2011-Feb 2012	57949	Man B & W 17850KW
AET, Singapore	Oil tanker	MT. Eagle Anaheim	3 rd Engineer	April 2010-Jan 2011	57929	Man B & W 13129KW
AET, Singapore	Oil tankers	MT. Eagle Stealth	4 th Engineer	May 2009-Jan 2010	58846	Sulzer RTA; 12000KW

Certificate of Completion



360training.com™

This Certifies That

Kwame Intsiful

is awarded this certificate for

OSHA 10 Hour Outreach Training Program - General Industry

Credit Hours: 10.00

Completion Date: 05/16/2018

Curtis Chambers, Trainer C 26-0106073 and G 26-0079775

"As an OSHA authorized trainer, I verify that I have conducted this OSHA outreach training class in accordance with OSHA Outreach Training Program requirements. I will document this class to my authorizing OSHA training organization. Upon successful review of my documentation, I will provide each student their completion card within 90 days of the end of the class."

6801 N Capital of Texas Hwy, Suite 150 ♦ Austin, TX 78731 ♦ 877.881.2235 ♦ www.360training.com



Applied Research International Pvt. Ltd.

B1 - 1, Hauz Khas, New Delhi - 110016
Tel : (91 -11) 43158585,43158586-7 Fax : (91-11) 43158588
Email : certificate@ariworld.com

Cert. No. SELAP (C) /18016

THIS IS TO CERTIFY THAT KWAME WILSON INTSIFUL

Holder of C.D.C. No. GH 3900 Passport No. G 1847468 Nationality GHANAIAN

Certificate of Competency Grade CLASS - I No. EA 100055

has completed a training course in

SENIOR ENGINEERING OFFICER'S LEADERSHIP ASSESSMENT PROGRAMME (SELAP)

held from 14th MAY, 2018 to 16th MAY, 2018

The course is conducted on behalf of AMI Manning Services Private Limited.

Issued at NEW DELHI this 16TH day of MAY, 2018



Project Head

CAPT. NALIN KANT

Note : All inquiries concerning this Certificate should be addressed to the issuing authority at the address given above.



CERTIFICATE OF TRAINING

Safety Officer Course - SO

Intsiful, Kwame Wilson

SID717427P / 91157

Date of birth: 27.08.1984

Nationality: Ghana

has successfully completed and passed examination of the training course for Safety Officer (SO) - including Risk Assessment and Incident Investigation.

Place of issue: Seagull, Horten

Date of issue: 18.11.2016

Anders Brunvoll
Senior Instructor/Assessor

Vibeke Nordahl-Paulsen
Manager Course Section

This onboard course is approved by the Liberian Registry and by the Maritime and Coastguard Agency that delivers the knowledge required to undertake the duties of a Shipboard Safety Officer as set out in : - The Merchant Shipping and Fishing Vessels (Health and Safety at Work) Regulations 1997 and The Code of Safe Working Practice for Merchant Seamen. This certificate is issued under the authority of the Maritime and Coastguard Agency of the United Kingdom of Great Britain and Northern Ireland, an executive agency of the Department for Transport. To be appointed as a Shipboard Safety Officer on a UK flagged vessel a person must have sufficient training and experience or knowledge and other qualities, to enable him/her to properly undertake the duties imposed on them. In addition they must have a minimum of two years consecutive sea service since attaining the age 18, which, in the case of a safety officer on board a tanker, shall include at least six months service in such ship.

This Safety Officer Course also covers relevant parts of STCW Code Tables A-II/2 and A-III/2 and IMO Model Course 3.11.

Signature of holder





SEKYI K. INTSIFUL

deflection instrumentation data review and reduction.

EVAPORATION PONDS • ARCADIS, U.S. • 2019 – 2020

Lead geotechnical engineer responsible for leading staff for the design of five evaporation ponds for the management of waste generated from precious mineral mining activities. Responsibility included leading staff and managing resources during subsurface exploration program, laboratory testing, engineering analysis, report writing, and review of design drawings.

OAKHILL PARKWAY DEEP FOUNDATION DESIGN • ARCADIS, U.S. • 2019 – 2020

Geotechnical engineer responsible for the design of drilled shaft foundations for sections of the US 290 Underpass at RM 1826. Responsibility included review of third-party design reports and evaluation of drilled shaft options for support of structure loads, earth pressures and vehicular traffic.

SANDY HILL LANDFILL WATER BALANCE STUDY • ARCADIS, U.S. • 2019 – 2020

Geotechnical engineer responsible for the water balance study. Responsibility included evaluating the extent to which infiltration of precipitation run-on through facility's existing earthen cap and/or groundwater intrusion through the below-grade sidewall liner system may be contributing to generation of excess leachate within landfill waste mass.

DAM SAFETY PERMIT AT HIGHLAND RESERVOIR NO. 1 • ARCADIS, U.S. • 2019

Geotechnical engineer responsible for the assessment of existing 18 MGD operating capacity reservoir for Pennsylvania Department of Environmental Protection dam safety permit.





SEKYI K. INTSIFUL

Responsible for executing subsurface exploration and laboratory testing procedures, assessment of seepage and global stability of existing embankments, and report preparation.

ENVIRONMENTAL PERMITTING • ARCADIS, U.S. • 2018 – DATE

Engineer for the renewal of existing Wastewater permit, Construction Site Stormwater Pollution Prevention Plan (SWPP), and Spill Prevention, Control, and Countermeasures (SPCC) for numerous clients across the States. Responsible for renewing permit and developing alternative matrix for moving the plant towards a No-Discharge permit status, and planning and coordinating location of existing stormwater and sanitary lines.

VETERANS MEMORIAL PARKWAY EXTENSION • TERRACON, U.S. • 2016 – 2018

Geotechnical staff engineer for the proposed highway alignment. Responsible for engineering analysis including evaluating slope stability of embankments, coordination and management of boring logs and laboratory data, writing report.

SUBSTATION AND POWER LINE PROJECTS • TERRACON, U.S. • 2016 – 2018

Geotechnical staff engineer for the expansion or rehabilitation of existing substations or proposed new substations. Responsible for writing proposals, site reconnaissance, project management including subsurface drilling planning and coordination, engineering analysis, and report writing.

GAS PIPELINE PROJECTS • TERRACON, U.S. • 2016 – 2018

Geotechnical staff engineer for the evaluation and remediation of





SEKYI K. INTSIFUL

geohazards within ROW. Responsible for desktop study, geohazard site assessment, geotechnical drilling management, monitoring of slope movements through instrumentation data collection and reduction, engineering analysis including slope stability, and preparation of report.

HDD FEASIBILITY STUDY • TERRACON, U.S. • 2016 – 2018

Geotechnical staff engineer for the feasibility study of HDD project to upgrade existing pipelines. Responsible for project coordination, development and management of geotechnical drilling program and laboratory testing, and preparation of geotechnical data report.

FULL DEPTH RECLAMATION • CEC, U.S. • 2015 – 2016

Project engineer for the evaluation and design of full depth reclamation solutions for distressed roadways. Responsible for pavement evaluation including field data collection, design of new pavement, and construction supervision of full depth reclamation solutions.

BRACED EXCAVATION RESEARCH • UNIVERSITY OF KENTUCKY • 2013 – 2015

Research assistant for the research and development of new method for design of braced excavations. Responsible for reviewing existing literature, developing; demonstrating the use; and testing proposed new method for evaluating deformation in buildings adjacent to excavation, and writing thesis covering research.

SCALED WATER TREATMENT CENTRES • WATERHEALTH, GHANA •





SEKYI K. INTSIFUL

2012 - 2013

Project engineer for the design and operation of modular structures for water treatment. Responsible for feasibility studies, engineering analysis including pump selection; bearing capacity and settlement calculations; treatment staging and treatment option selection, construction supervision, and water quality monitoring and remediation.

TELECOM INFRASTRUCTURE • GLOBACOM, GHANA • 2009 - 2012

Rollout engineer, acting as in house consultant, for the launch of telecommunication services on the Ghana market. Responsible for feasibility studies, engineering analysis including bearing capacity and settlement calculations for telecom masts and other infrastructure, review of geotechnical engineering report and making recommendations to contractors, and construction QA/QC services in accordance with project specifications.

SELECTED PUBLICATIONS

“Deformation-Based Excavation Support System Design Method” presented in May 2015 as part of master’s thesis dissertation.



KWAME NKURUMAH
UNIVERSITY OF SCIENCE AND TECHNOLOGY KUMASI GHANA



This is to certify that

John Robinson Sekyie Antwi

Having pursued a prescribed course of study
and having passed the requisite examinations by *May 2008*
has been duly admitted by the University to the Degree of

Bachelor of Science
Civil Engineering

SECOND CLASS HONOURS (Upper Division)

Given under my hand this *28th* day
of *June 2008*


Vice - Chancellor

Student Registration No: **74713**



36-005802529

This card acknowledges that the recipient has successfully completed a
10-hour Occupational Safety and Health Training Course in
Construction Safety and Health

Sekyi Intsiful

Andrea Foster-Mack

6/9/2016

(Trainer name – print or type)

(Course end date)



36-601429303

This card acknowledges that the recipient has successfully completed a
30-hour Occupational Safety and Health Training Course in
Construction Safety and Health

SEKYI INTSIFUL

Matthew Luman

1/27/2017

(Trainer name – print or type)

(Course end date)

Compliance Solutions Occupational Trainers, Inc.

Certificate of Completion

Student Name: Sekyi Intsiful

Company: ARCADIS-US

I Certify the above named student has been tested and trained for:

40-Hour HAZWOPER

as per 29 CFR 1910.120(e)

Date of Issue: 1/11/2019

By:

Instructor

OSHA recommends Outreach Training Courses as an orientation to occupational safety and health for workers. Participation is voluntary. Workers must receive additional training on specific hazards of their job. This course completion card does not expire.

Use or distribution of this card for fraudulent purposes, including false claims of having received training, may result in prosecution under 18 U.S.C. 1001. Potential penalties include substantial criminal fines, imprisonment up to five years, or both.

For OSHA Outreach Training Program go to "Training" at www.osha.gov

Rev. 9/2009

OSHA recommends Outreach Training Courses as an orientation to occupational safety and health for workers. Participation is voluntary. Workers must receive additional training on specific hazards of their job. This course completion card does not expire.

Use or distribution of this card for fraudulent purposes, including false claims of having received training, may result in prosecution under 18 U.S.C. 1001. Potential penalties include substantial criminal fines, imprisonment up to five years, or both.

For OSHA Outreach Training Program go to "Training" at www.osha.gov

Rev. 12/2009



Use our web site to register for your refresher
training

Register at www.csregs.com

University of Kentucky

Upon recommendation of the University Senate and
approval of the Board of Trustees, the President of the University of Kentucky
confers on

Sekyi Kobina Intsiful

the degree of

Master of Science in Civil Engineering

Civil Engineering

this sixth day of August, 2015

Eli Tajibouto
President of the University

Oliver Keith Mannon
Chair, Board of Trustees

Susan Carvalho
Interim Dean of College

Donald E. Witt
University Registrar



COMMONWEALTH OF KENTUCKY

Be it known that

Sekyi Kobina Intsiful

having qualified, as required by act of the General Assembly, is duly licensed and is hereby authorized to practice in the Commonwealth of Kentucky as a

PROFESSIONAL
ENGINEER

In Testimony Whereof we have affixed our hand
and seal this 26th day of September, 2018

[Signature]
Chair

William A. Bowen, Jr.
Secretary

License No. 34120

Issued by the

Kentucky State Board of Licensure for Professional Engineers and Land Surveyors

